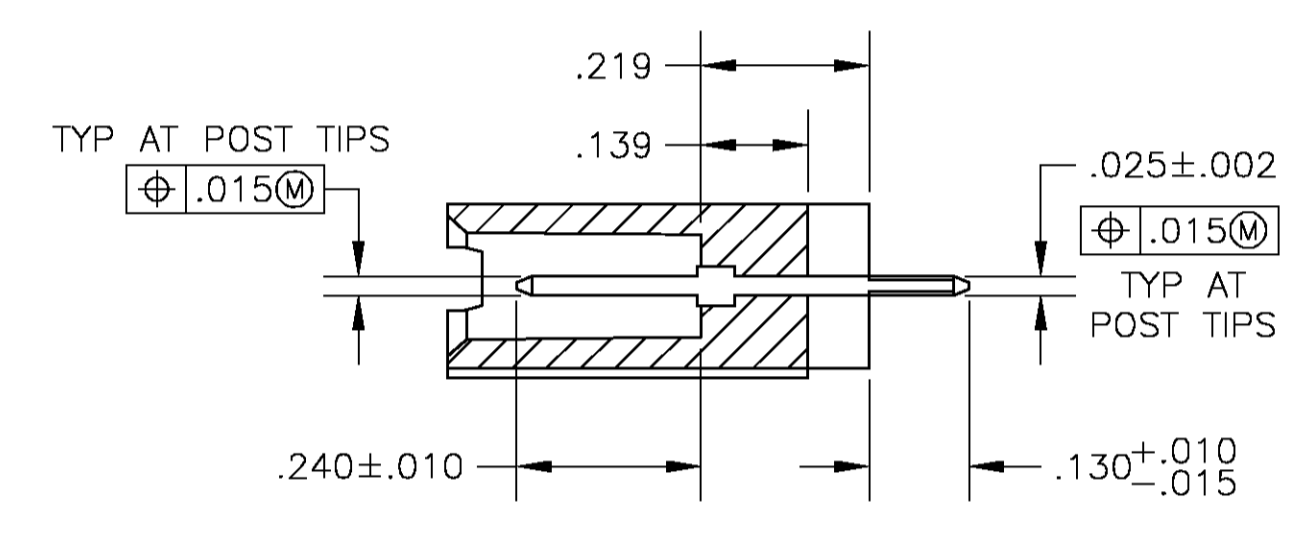
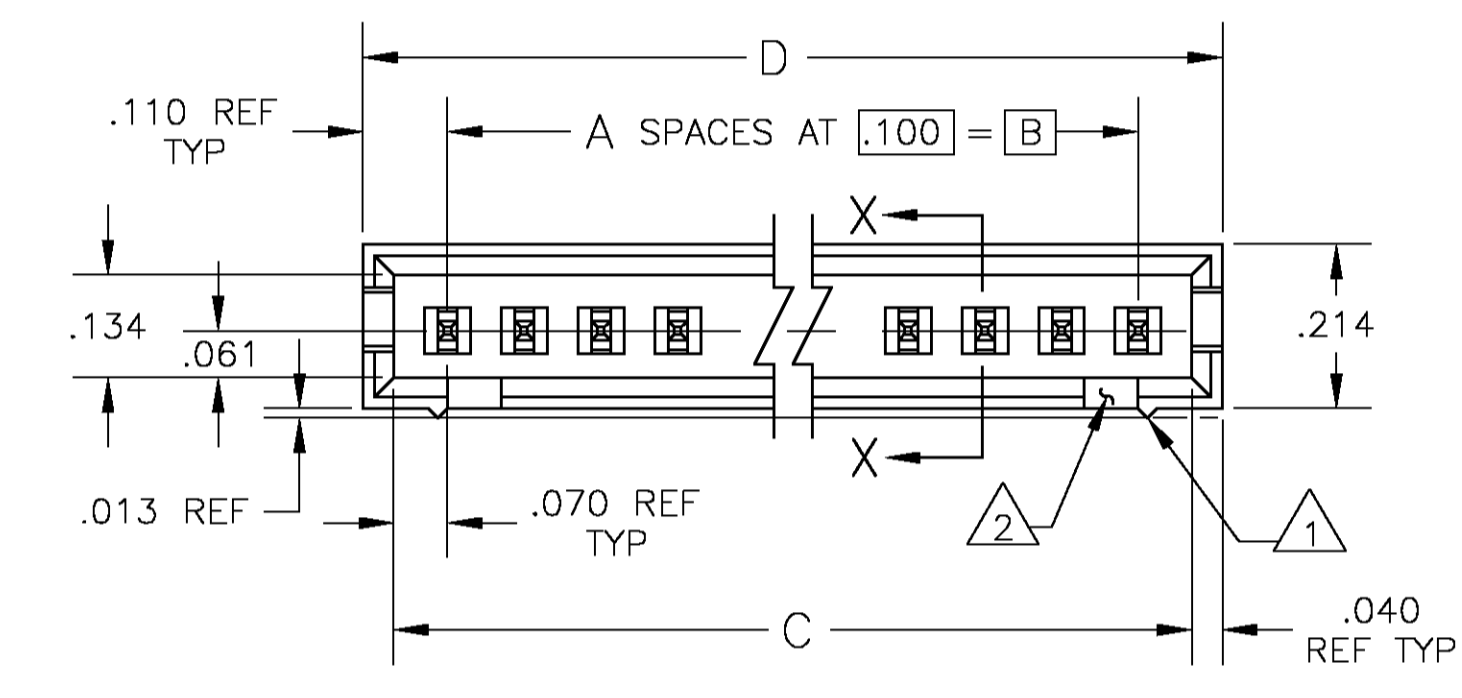
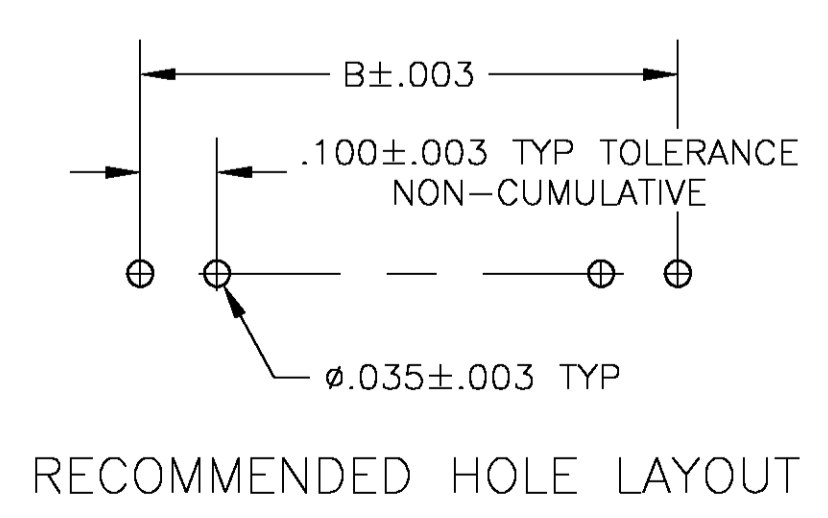
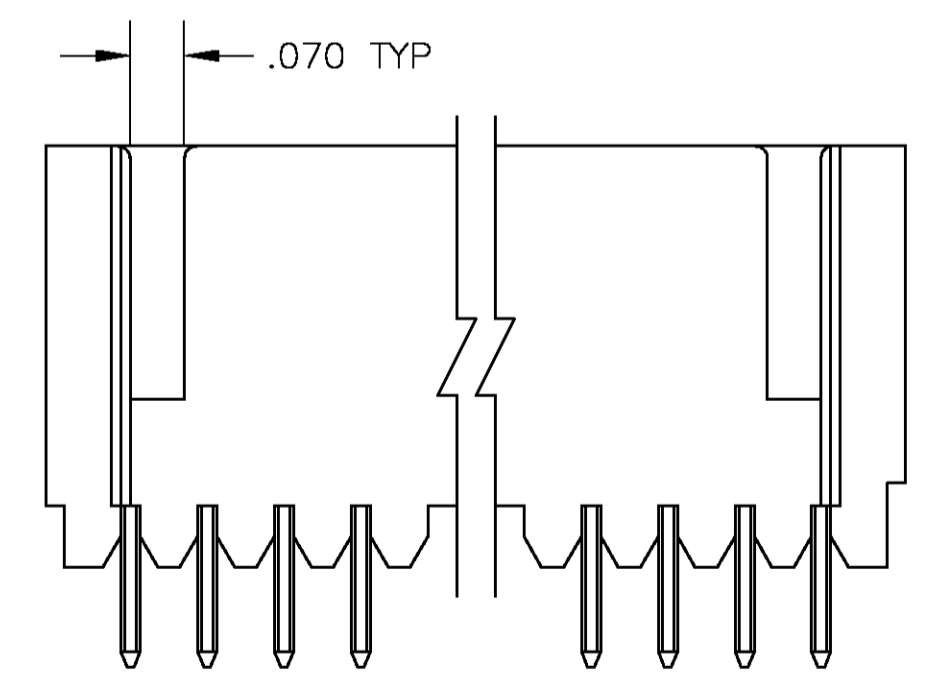


- 1 STANDOFFS:  
 UP TO 9 POS—(2 REQD) ON THE OUTSIDE ENDS OF THE HOUSING.  
 10 TO 19 POS—(3 REQD) TWO ON THE OUTSIDE ENDS AND ONE CENTERED ON THE HOUSING.
- 19 POS AND ABOVE—(4 REQD) TWO ON THE OUTSIDE ENDS AND TWO SPACED EVENLY WITHIN THE REMAINING LENGTH OF THE HOUSING.
- 2 FOR 3 POS. ONLY, ONE SLOT (.215 WIDE).
- 3 INDICATED PARTS ARE PACKAGED IN "GANG-OF-TUBES".
- 4 RECESSED DATE CODE
- 5 .000100—.000200 BRIGHT TIN—LEAD OVER .000050 NICKEL.
- 6 .000100—.000200 BRIGHT TIN OVER .000050 NICKEL.
- 7 PRELIMINARY PART
- 8 .000100—.000200 MATTE TIN OVER .000050 NICKEL.



SECTION X-X



FINISH	D	C	B	A	NO OF POS	ASSEMBLY PART NUMBER
△	2.620	2.540	2.400	24	25	7-103080-3
△	2.520	2.440	2.300	23	24	7-103080-2
△	2.420	2.340	2.200	22	23	7-103080-1
△	2.320	2.240	2.100	21	22	7-103080-0
△	2.220	2.140	2.000	20	21	6-103080-9
△	2.120	2.040	1.900	19	20	6-103080-8
△	2.020	1.940	1.800	18	19	6-103080-7
△	1.920	1.840	1.700	17	18	6-103080-6
△	1.820	1.740	1.600	16	17	6-103080-5
△	1.720	1.640	1.500	15	16	6-103080-4
△	1.620	1.540	1.400	14	15	6-103080-3
△	1.520	1.440	1.300	13	14	6-103080-2
△	1.420	1.340	1.200	12	13	6-103080-1
△	1.320	1.240	1.100	11	12	6-103080-0
△	1.220	1.140	1.000	10	11	5-103080-9
△	1.120	1.040	.900	9	10	5-103080-8
△	1.020	.940	.800	8	9	5-103080-7
△	.920	.840	.700	7	8	5-103080-6
△	.820	.740	.600	6	7	5-103080-5
△	.720	.640	.500	5	6	5-103080-4
△	.620	.540	.400	4	5	5-103080-3
△	.520	.440	.300	3	4	5-103080-2
△	.420	.340	.200	2	3	5-103080-1
△	1.020	.940	.800	8	9	4-103080-0
△	.520	.440	.300	3	4	3-103080-9
△	.420	.340	.200	2	3	3-103080-8
△	.520	.440	.300	3	4	3-103080-7
△	.620	.540	.400	4	5	3-103080-6
△	.620	.540	.400	4	5	3-103080-5
△	3.820	3.640	3.500	35	36	3-103080-4
△	3.720	3.540	3.400	34	35	3-
△	3.620	3.440	3.300	33	34	3-
△	3.420	3.340	3.200	32	33	3-
△	3.320	3.240	3.100	31	32	3-
△	3.220	3.140	3.000	30	31	2-
△	3.120	3.040	2.900	29	30	2-
△	3.020	2.940	2.800	28	29	2-
△	2.920	2.840	2.700	27	28	2-
△	2.820	2.740	2.600	26	27	2-
△	2.720	2.640	2.500	25	26	2-
△	2.620	2.540	2.400	24	25	2-
△	2.520	2.440	2.300	23	24	2-
△	2.420	2.340	2.200	22	23	2-
△	2.320	2.240	2.100	21	22	2-
△	2.220	2.140	2.000	20	21	1-
△	2.120	2.040	1.900	19	20	1-
△	2.020	1.940	1.800	18	19	1-
△	1.920	1.840	1.700	17	18	1-
△	1.820	1.740	1.600	16	17	1-
△	1.720	1.640	1.500	15	16	1-
△	1.620	1.540	1.400	14	15	1-
△	1.520	1.440	1.300	13	14	1-
△	1.420	1.340	1.200	12	13	1-
△	1.320	1.240	1.100	11	12	1-
△	1.220	1.140	1.000	10	11	1-
△	1.120	1.040	.900	9	10	1-
△	1.020	.940	.800	8	9	1-
△	.920	.840	.700	7	8	1-
△	.820	.740	.600	6	7	1-
△	.720	.640	.500	5	6	1-
△	.620	.540	.400	4	5	1-
△	.520	.440	.300	3	4	1-
△	.420	.340	.200	2	3	103080-1

THIS DRAWING IS A CONTROLLED DOCUMENT. DWN J. MARTINELLI 17AUG92

INCHES DIMENSIONS: 0 PLC ± - 1 PLC ± - 2 PLC ± .02 3 PLC ± .005 4 PLC ± -

TOLERANCES UNLESS OTHERWISE SPECIFIED: ANGLES ± -

MATERIAL: RETARDANT THERMOPLASTIC, COLOR—BLACK POSTS—BRASS FINISH: SEE TABLE

WEIGHT: —

SIZE: A1 CAGE CODE: 00779 DRAWING NO: 103080

RESTRICTED TO: —

TYCO ELECTRONICS Corporation Harrisburg, Pa 17105-3608

ASSEMBLY, MOD II, SINGLE ROW, .100 C/L, (4) SIDED SHROUD

APPLICATION SPEC: —

SCALE: 4:1 SHEET: 1 OF 1 REV: V